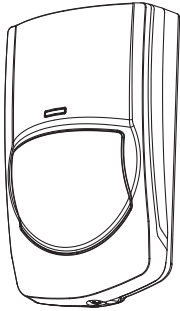




DPP310

Instruction Manual



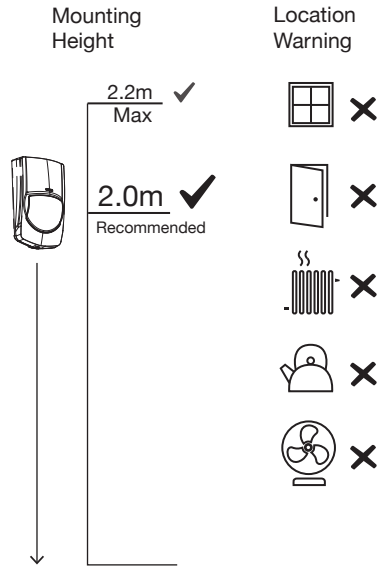
Pet Friendly PIR Detector
www.pima-alarms.com

Key Features

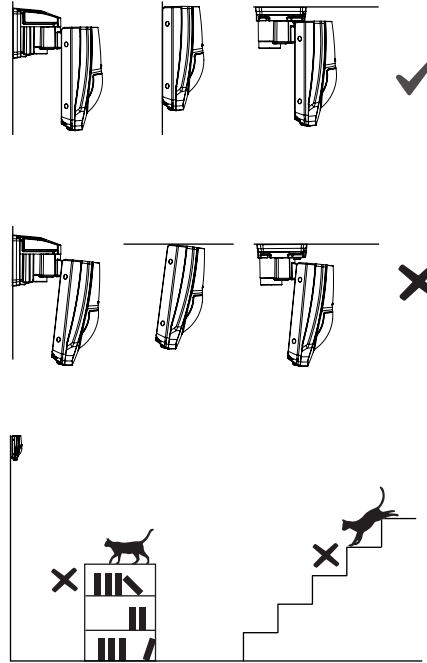
- 35kg Pet Friendly
- 15 Metre Range
- Grade 2
- Multi Height Optics
- 2.0m - 2.2m Mounting Height
- Selectable EOL Resistors
- Slide to Fit Front Cover
- Remote LED Control
- Sealed Optics
- True Creep Zones
- Digital Pulse Count†
- Temperature Compensation
- Advanced Signal Processing†
- RFI Immunity up to 2.7GHz
- Optional Tamper Proof Bracket†

† Patent Pending

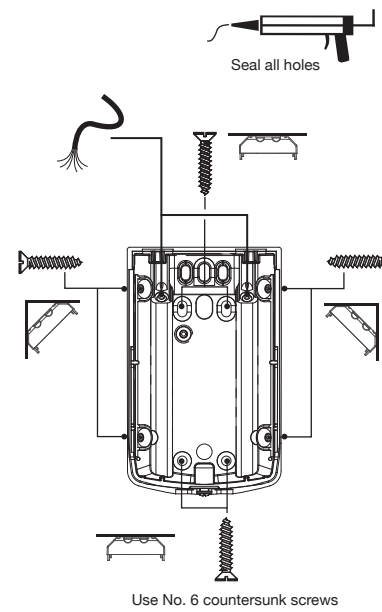
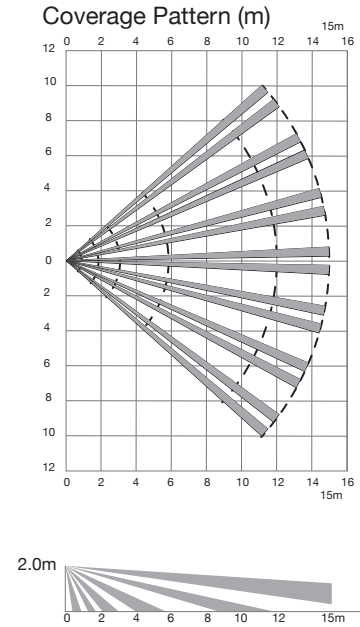
1 Location



Note: For maximum detection range, especially at high temperatures, mount at 2.0m.

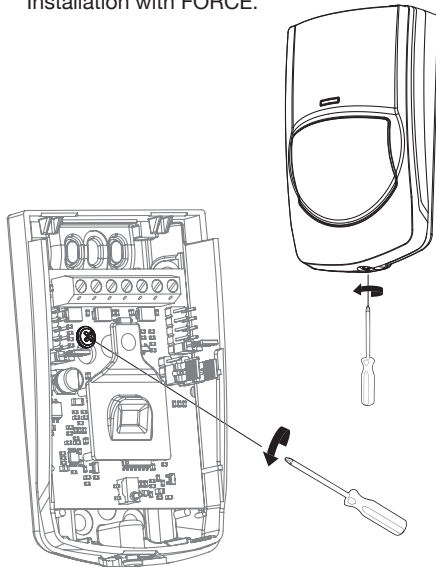


2 Mounting without bracket

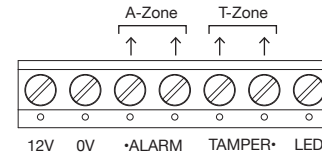


3 Detector Setup

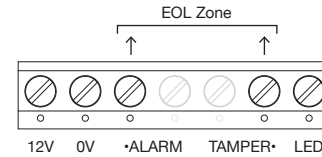
Note the jumper settings for Installation with FORCE.



For Double Pole Wiring



For EOL Wiring

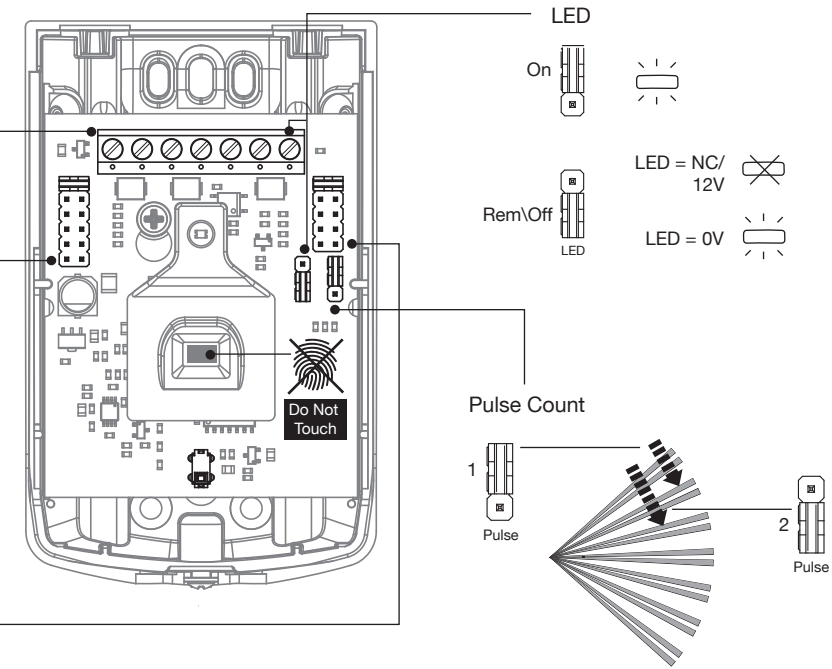


Alarm Resistor

| | |
|--|-----|
| | O/C |
| | 1K0 |
| | 2K2 |
| | 4K7 |
| | 5K6 |
| | 6K8 |

Tamper Resistor

| | |
|--|-----|
| | O/C |
| | 1K0 |
| | 2K2 |
| | 4K7 |
| | 5K6 |
| | 6K8 |



Specification

| | |
|------------------------|---------------------------|
| Description | Passive Infrared Detector |
| Pyro Electric Sensor | Dual Element |
| Max Pet Weight | 35kg |
| Range | 15m |
| Optics | Multi Height Spherical |
| Detection Areas | 68 |
| Mounting Height | 2.0m - 2.2m |
| Supply Voltage | 9 - 15VDC (12V nominal) |
| Quiescent Current | 10mA |
| Alarm (LED enabled) | 15mA |
| Alarm (LED disabled) | 7mA |
| LED Control = 0V | LED Enabled |
| LED Control = 12V / NC | LED Disabled |
| Pulse Count | Digital |
| Start-up Time | 60 seconds |
| Alarm Time | > 2 seconds |
| Target Speed | 0.3m/s - 3.0m/s |
| Dimensions (whd) mm | 60 x 97 x 40 |
| Housing Material | 2.5mm ASA |
| Operating Temperature | -20°C to +55°C |
| Storage Temperature | -35°C to 60°C |
| Maximum Humidity | 95% non-condensing |
| Product Weight | 80g |
| Packed Weight | 95g |
| Maintenance | Annual Installer Check |

Warranty

The PIMA DPP310 is guaranteed against defects in material or faulty workmanship for a period of 10 years from the date of purchase.

Disclaimer: PIMA will not accept any liability based on a claim that the DPP310 failed to perform correctly as it is a component part of an installation and not a complete intruder alarm system.

Ordering Information

| | |
|-------------|--------------------------------|
| CAT. P/N | 5010155 |
| Description | DPP310 PET immune PIR Detector |

Standards and Approvals

Security

PD 6662:2017

EN 50131-2-2:2021 Grade 2, Class II

EMC / False Alarm Immunity

EMC Immunity: EN 50130-4:2011

Radiated Immunity: 80MHz to 2.7GHz

Electrostatic Discharge: +/- 8kV

Conducted Immunity: 0.15MHz to 100MHz

Fast Transient Immunity: 2kV

Conducted & Radiated Emissions: EN 55032:2015

Hereby, PIMA Ltd declares that the DPP310 conforms to:

European Union (EU) Electro-Magnetic Compatibility

(EMC) Directive 2014/30/EU and EN

50130-4:2011+A1:2014

EMC Environment: Residential / Commercial / Light

Industrial / Industrial



EU & UK Registered Design

Regulatory



WEEE Directive: 2012/19/EU Compliant: This symbol indicates that according to local laws and regulations, this product should not be disposed of as municipal/household waste. Instead, it should be disposed of at the appropriate collection points designated for the recycling of electrical and electronic equipment, or returned to PIMA upon purchase of new replacement products. This will help to conserve natural resources and ensure that it is recycled in a manner that protects human health and the environment.

RoHS RoHS Directive: 2011/65/EU Compliant:

PIMA declares that this product complies with and conforms to RoHS legislation that it does not contain more than the agreed levels of: Lead (Pb), Cadmium (Cd), Mercury (Hg), Hexavalent chromium (Cr6+), Polybrominated biphenyls (PBB), Polybrominated diphenyl ethers (PBDE)

FORCE Settings

Set the FORCE Alarm System as follows:

- Two EOL resistors
- Resistor values – 100 (=10K)

PIMA

Designed and Manufactured
in the United Kingdom

PIMA Electronic Systems Ltd.
5, Hatzoref St., Holon 5885633, Israel
Tel: +972.3.6506411
Email: support@pima-alarms.com
<http://www.pima-alarms.com>

4410565 Rev A (Dec 2022)

