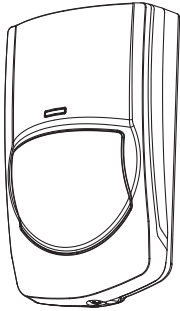




DPS300

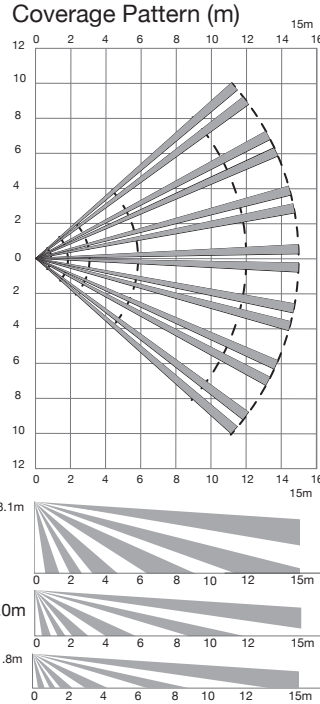
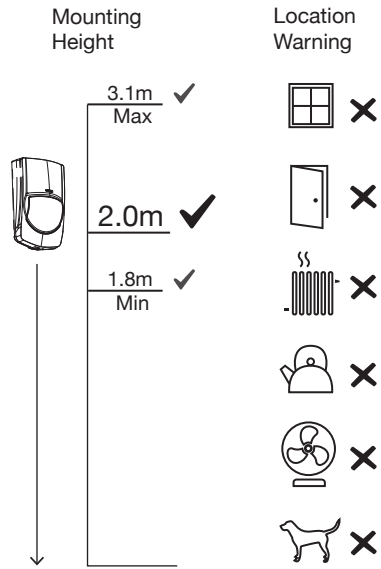
Instruction Manual



PIR Detector

www.pima-alarms.com

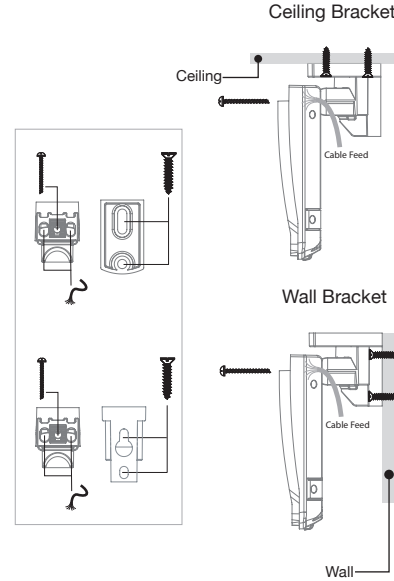
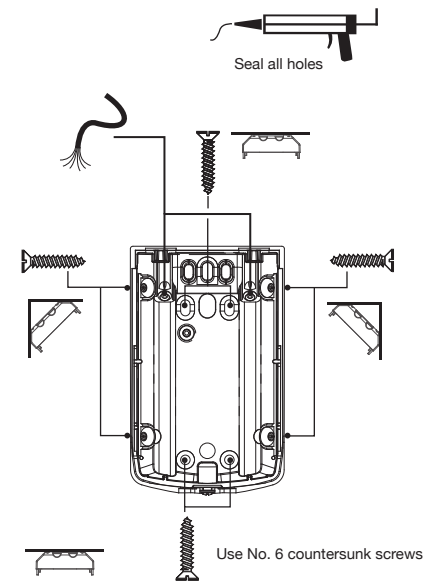
1 Location



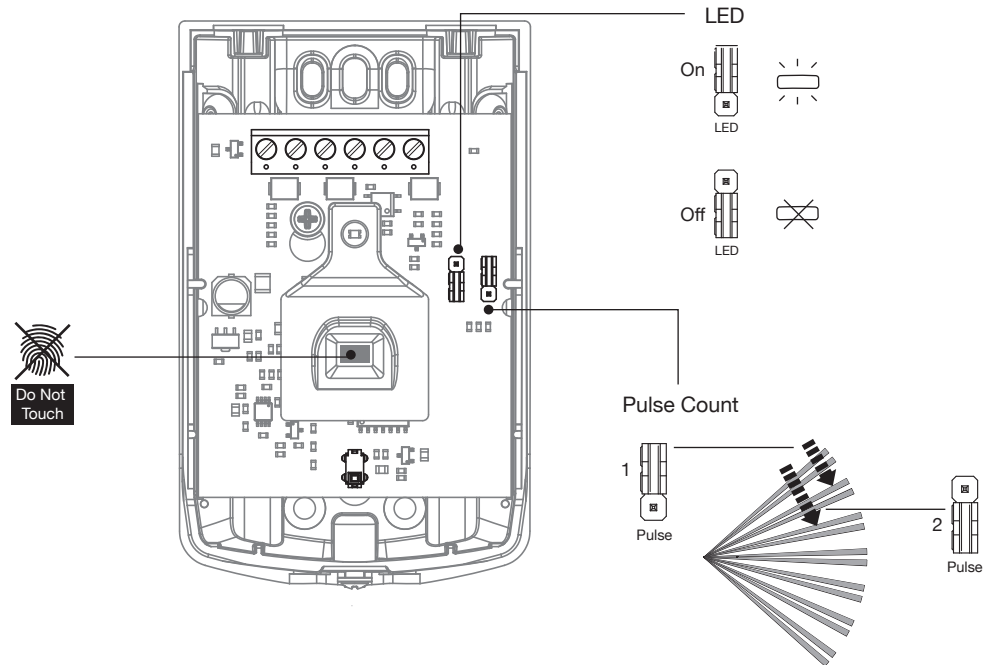
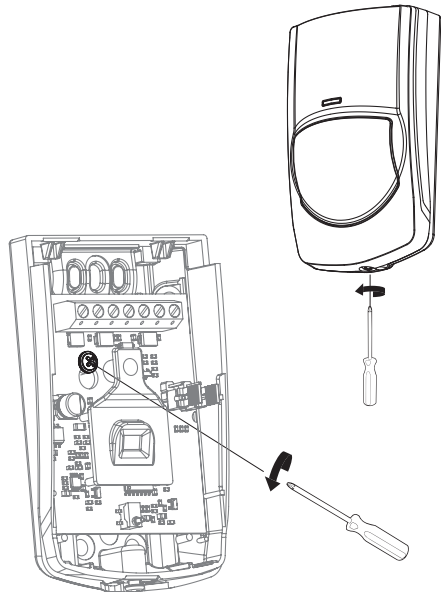
2 Mounting without bracket

or

Mounting with bracket (available separately)



3 Detector Setup



Key Features

- 15 Metre Range
- Grade 2
- Multi Height Optics
- 1.8m - 3.1m Mounting Height
- Slide to Fit Front Cover
- Sealed Optics
- True Creep Zones
- Digital Pulse Count†
- Temperature Compensation
- Advanced Signal Processing†
- RFI Immunity up to 2.7GHz
- Optional Tamper Proof Bracket†

† Patent Pending

Specification

Description	Passive Infrared Detector
Pyro Electric Sensor	Dual Element
Range	15m
Optics	Multi Height Spherical
Detection Areas	68
Mounting Height	1.8m - 3.1m
Supply Voltage	9 - 15VDC (12V nominal)
Quiescent Current	10mA
Alarm (LED enabled)	15mA
Alarm (LED disabled)	7mA
LED Control = 0V	LED Enabled
LED Control = 12V / NC	LED Disabled
Pulse Count	Digital
Start-up Time	60 seconds
Alarm Time	> 2 seconds
Target Speed	0.3m/s - 3.0m/s
Dimensions (whd) mm	60 x 97 x 40
Housing Material	2.5mm ASA
Operating Temperature	-20°C to +55°C
Storage Temperature	-35°C to 60°C
Maximum Humidity	95% non-condensing
Product Weight	80g
Packed Weight	95g
Maintenance	Annual Installer Check

Warranty

The PIMA DPS300 is guaranteed against defects in material or faulty workmanship for a period of 10 years from the date of purchase.

Disclaimer: PIMA will not accept any liability based on a claim that the DPS300 failed to perform correctly as it is a component part of an installation and not a complete intruder alarm system.

Standards and Approvals

Security

PD 6662:2017

EN 50131-2-2:2021 Grade 2, Class II

EMC / False Alarm Immunity

EMC Immunity: EN 50130-4:2011

Radiated Immunity: 80MHz to 2.7GHz

Electrostatic Discharge: +/- 8kV

Conducted Immunity: 0.15MHz to 100MHz

Fast Transient Immunity: 2kV

Conducted & Radiated Emissions: EN 55022:2010

Hereby, PIMA Ltd declares that the IR-50 conforms to:
European Union (EU) Electro-Magnetic Compatibility (EMC)
Directive 2014/30/EU and EN 50130-4:2011+A1:2014
EMC Environment: Residential / Commercial / Light
Industrial / Industrial



EU & UK Registered Design

Regulatory



WEEE Directive: 2012/19/EU Compliant: This symbol indicates that according to local laws and regulations, this product should not be disposed of as municipal/household waste. Instead, it should be disposed of at the appropriate collection points designated for the recycling of electrical and electronic equipment, or returned to PIMA upon purchase of new replacement products. This will help to conserve natural resources and ensure that it is recycled in a manner that protects human health and the environment.

RoHS

RoHS Directive: 2011/65/EU Compliant:
PIMA declares that this product complies with and conforms to RoHS legislation that it does not contain more than the agreed levels of: Lead (Pb), Cadmium (Cd), Mercury (Hg), Hexavalent chromium (Cr6+), Polybrominated biphenyls (PBB), Polybrominated diphenyl ethers (PBDE)

Ordering Information

CAT. P/N	5010154
Description	DPS300 PIR Detector

PIMA

Designed and Manufactured
in the United Kingdom

PIMA Electronic Systems Ltd.
5, Hatzoref St., Holon 5885633, Israel
Tel: +972.3.6506411
Email: support@pima-alarms.com
<http://www.pima-alarms.com>

4410564 Rev A (Dec 2022)

